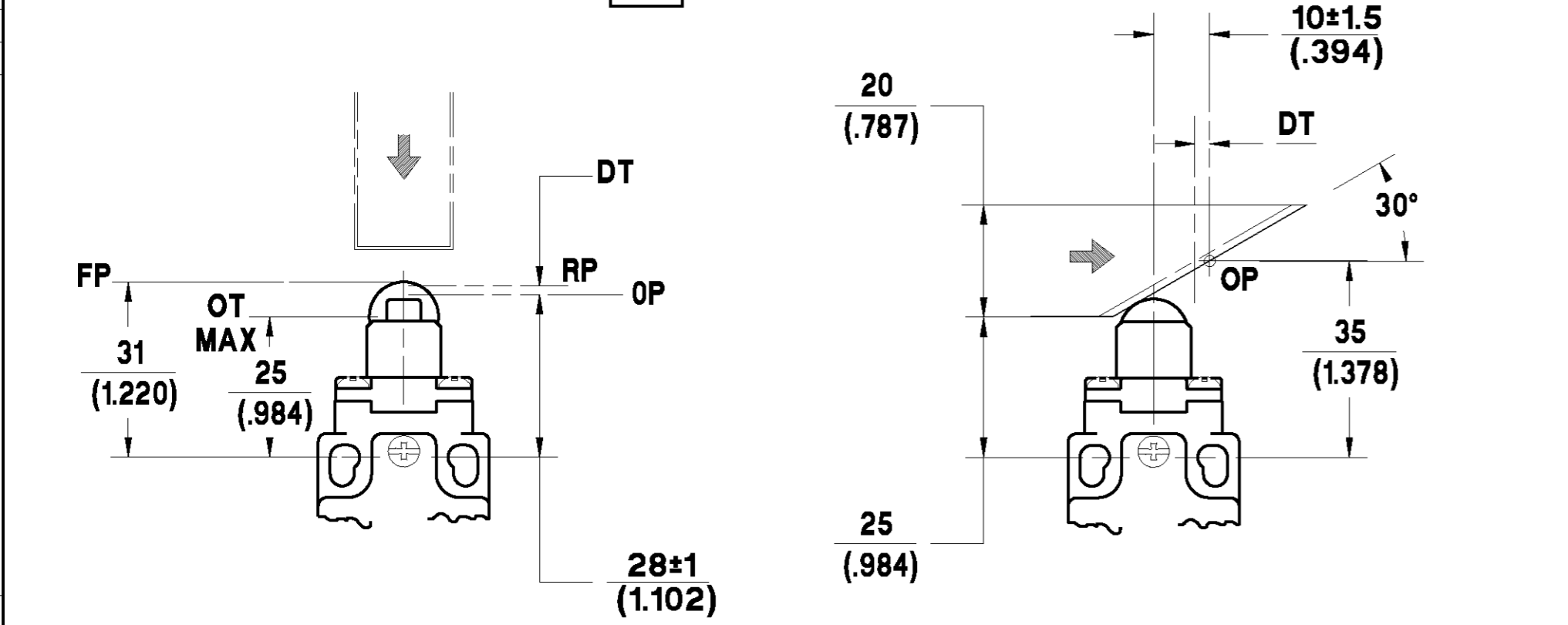
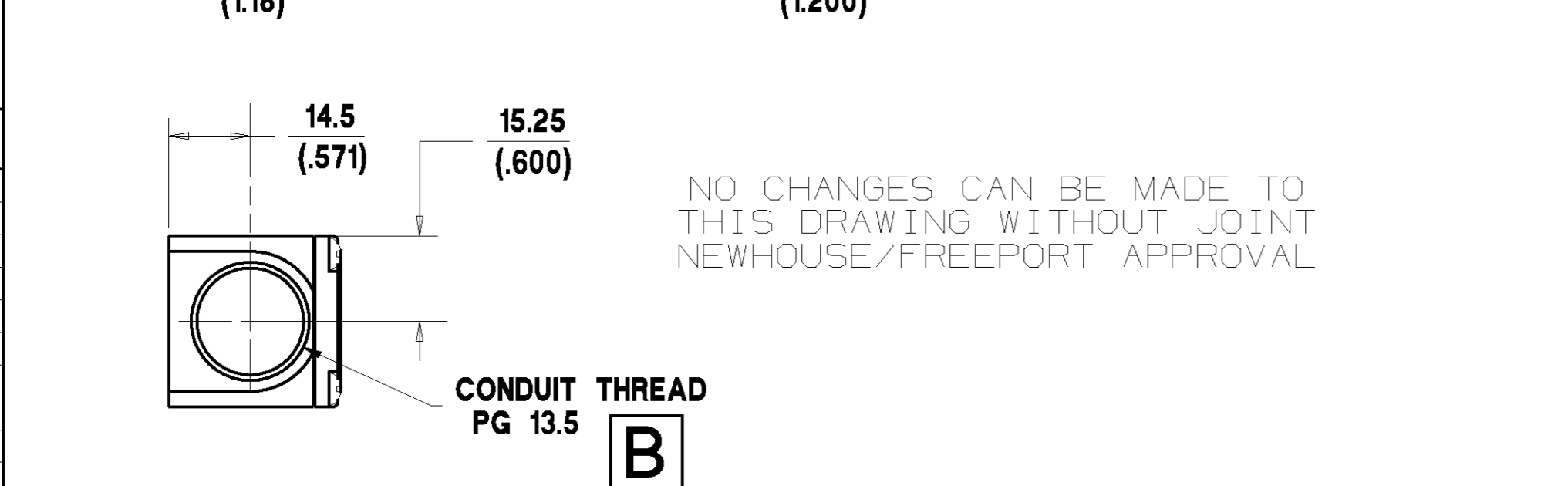
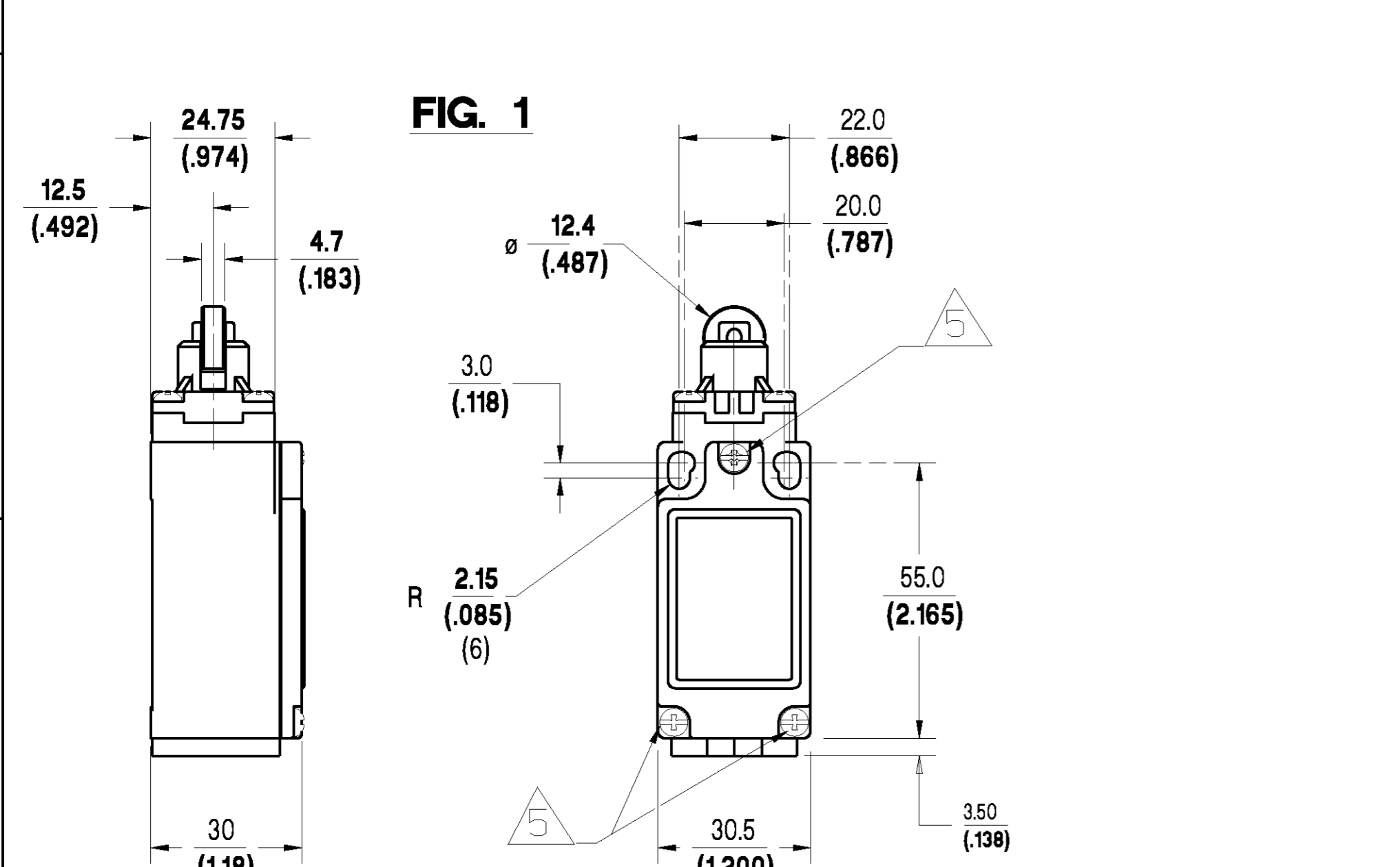


**MTG-GL-174**  
 REPLACES  
 DRAWING NUMBER AO18-170  
 ISSUE 9  
 REVISIONS  
 5 7/96 AO18-262  
 6 12/96 AO18-293  
 7 7/97 CO-000083  
 8 8/97 CO-000105  
 9 CO/395 I WEIR 6/98  
 DRAWN M. LOCH  
 CHECK I. WEIR  
 DESIGN J. BOYD  
 AUTHOR P. TRICKETT  
 MODIFY ON CAD3D SYSTEM ONLY

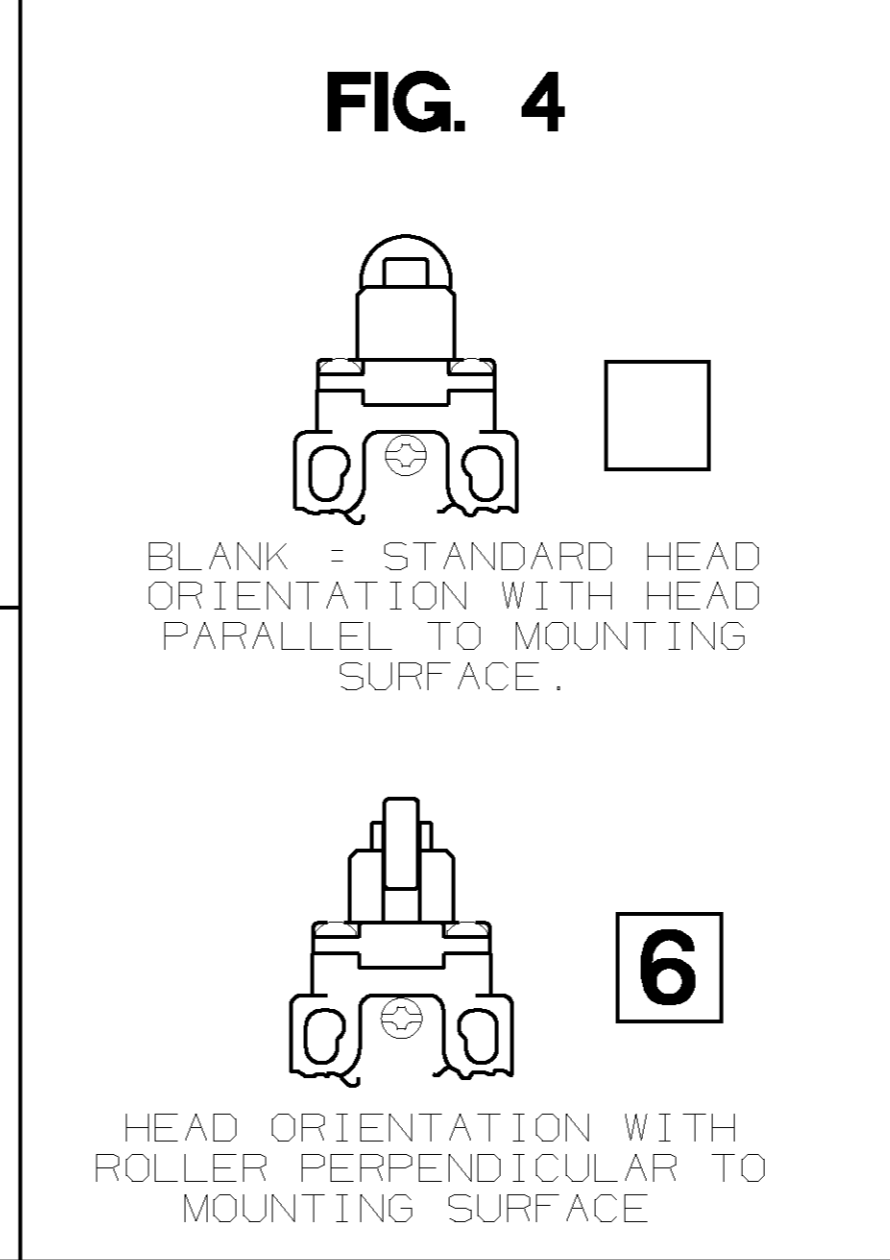
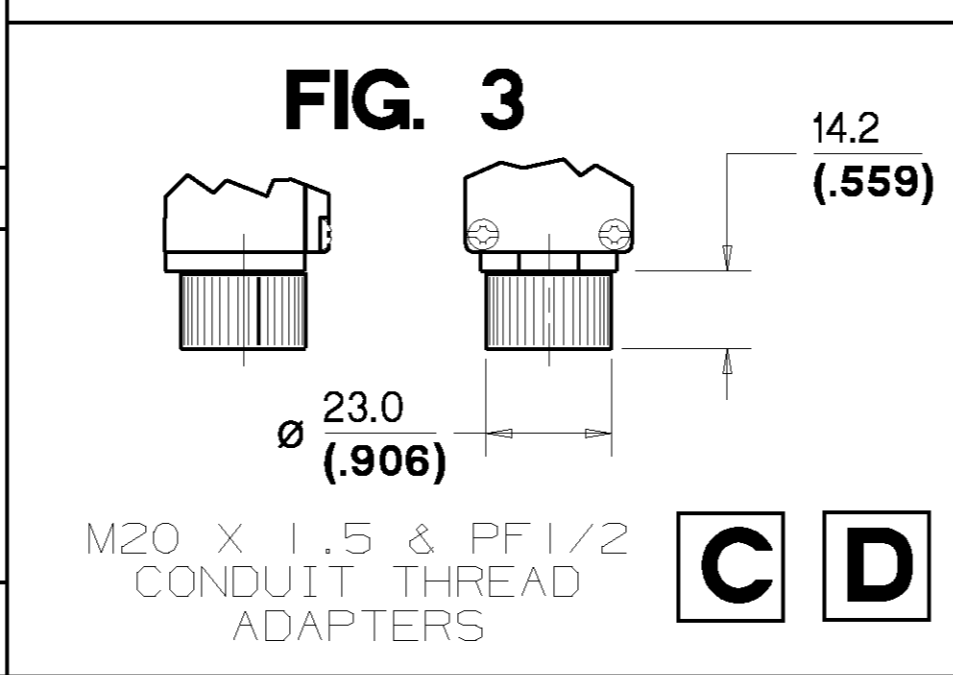
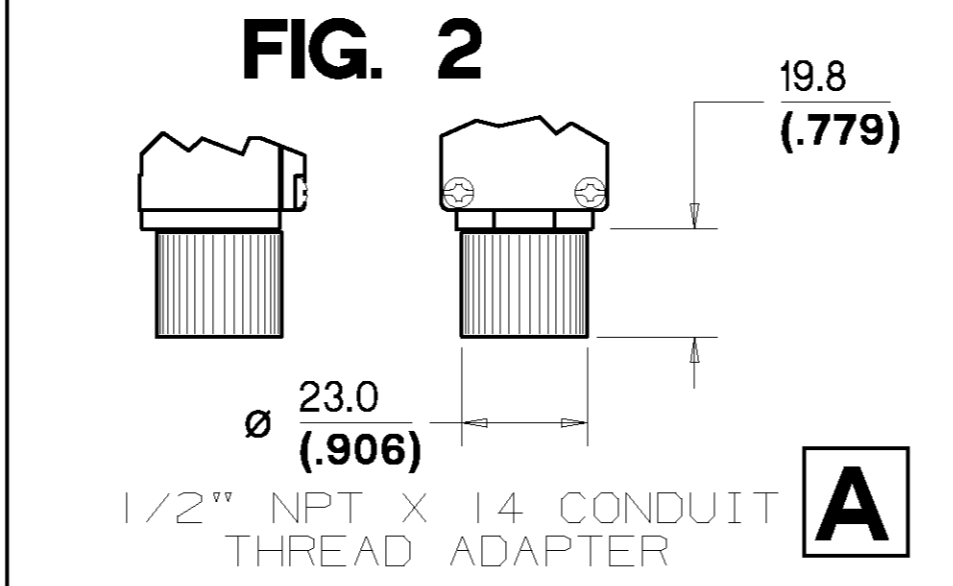
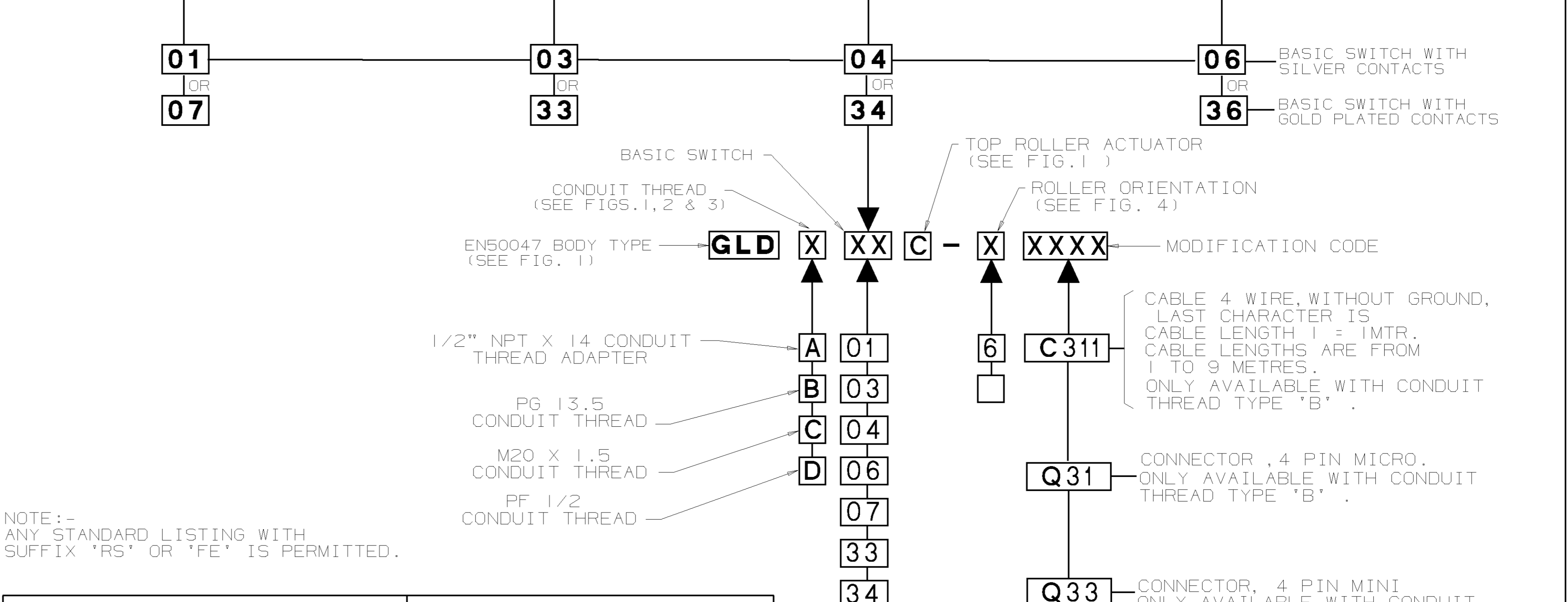
**Honeywell**  
**LIMIT SWITCH**  
 CATALOGUE LISTING  
**GLS**  
 CHART NO.  
**MTG-GL-174**



NOTES:-  
 1. MICRO SWITCH BLUE GLASS FILLED POLYESTER HOUSING & COVER. BLACK GLASS FILLED POLYAMIDE HEAD.  
 2. ENCLOSURE DOUBLE INSULATED TO IEC 539 CLASS II.  
 3. MINIMUM OPERATING VELOCITY (V<sub>min</sub>) = 1.0 MM/S (THESE LIMITS APPLY TO CAM OPERATION AS SHOWN IN THE ABOVE DIAGRAMS ONLY)  
 MAXIMUM OPERATING VELOCITY (V<sub>max</sub>) = 100 MM/S  
 MAXIMUM OPERATING FREQUENCY (F<sub>max</sub>) = 250 OPS/MIN  
 4. FREE POSITION (FP), OPERATING POINT (OP), OVERTRAVEL (OT) AND PRETRAVEL (PT) AL TO EN50047.  
 5. MAXIMUM TIGHTENING TORQUE FOR FIXING SCREW = 0.5Nm (4.4in.LB)

IEC 947-5-1 ELECTRICAL RATING			ENVIRONMENTAL		APPROVALS
SILVER CONTACTS			GOLD PLATED CONTACTS		UL IEC 947-5-1 EN50047
AC	AC (FOR 2NC)	DC	IP66	NEMA 1, 4, 12, 13	
A600 AC15 U <sub>e</sub> I <sub>e</sub>	A500 AC15 U <sub>e</sub> I <sub>e</sub>	O500 DC13 U <sub>e</sub> I <sub>e</sub>	TEMP RANGE: -25°C TO 85°C -13°F TO 185°F		
120 5 240 5 380 1.5 480 1.5 500 1.4 600 1.4	120 5 240 5 380 1.5 480 1.5 500 1.4	120 5 250 0.27	STORAGE: -40°C TO 85°C -40°F TO 185°F		
I <sub>th</sub> = 10A			SHOCK: 50G PER IEC 68-2-27		
1V 10µA MIN.			VIBRATION: 10G PER IEC 68-2-6		
50V 100mA MAX.					

CONTACT BLOCK DIAGRAM TERMINAL DESIGNATION TO EN 50013	NOMINAL TRAVELS AND RELATED TERMINALS	NORMAL OPERATING FORCE MAX	MAXIMUM DISCONNECT FORCE
SNAP-ACTION CONTACTS 		16 (3.6)	23 (5.2)
SLOW-ACTION CONTACTS (BREAK BEFORE MAKE) 		14 (3.2)	24 (5.4)
SLOW-ACTION CONTACTS (MAKE BEFORE BREAK) 		16 (3.6)	27 (6.1)
SLOW-ACTION CONTACTS (2 NORMALLY CLOSED) 		13 (2.9)	23 (5.2)



NOTE:  
 FOR CONNECTION DIAGRAMS AND ADDITIONAL ELECTRICAL, ENVIRONMENTAL & DIMENSIONAL INFORMATION SEE DRAWING GL-49212